

# EL INOX



Version with operator's platform available with and without side protection gates



**AC POWER**  
traction motor  
without brushes:  
less need for servicing  
greater power output

## Entirely constructed in stainless steel or non-corrosive material

- **Full free view mast groups** exclusive to SAMAG in laminated stainless steel with resistance to flexion and torsion, with quality certificate
- **Lift cylinder** (including lifting chain and pulleys) entirely made in stainless steel or non-corrosive material
- **Gear box case** made with AISI 304 stainless steel fusion, **traction motor** in AC alternate current with IP55 protection grade and protective thermal device
- **Central spring loaded drive wheel** with adjustable load for a constantly efficient grip to the ground
- **Electronic and hydraulic components** protected against water sprays
- **Cold store application** (on request)



# samag

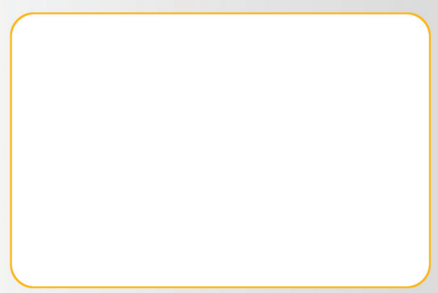
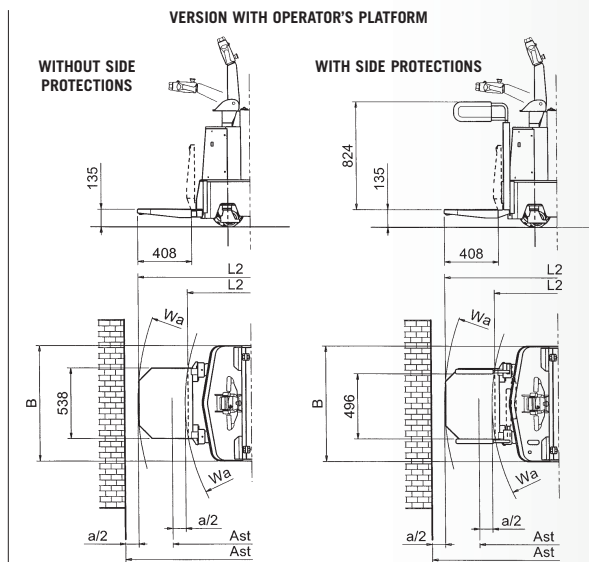
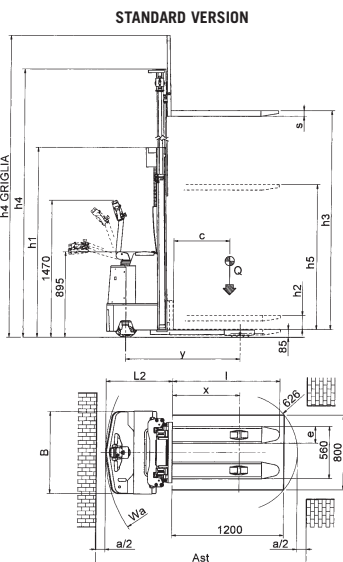
Characteristics		Maker	Firm	SAMAG	SAMAG
Model		Name		EL INOX	EL PO INOX
Capacity		Q = Load maximum	t	1,3	1,3
Load centre		c = Load centre distance	mm	600	600
Traction		Battery, Diesel, Gas, Electric		BATTERY	BATTERY
Steering		Draw bar, Operator standing/seated		DRAW BAR	DRAW BAR
Tyres		WB = Wide Band, V = Vulk. front/rear		WB / V	WB / V
Wheels (x=driving)		Quantity front/rear		1X+2/4	1X+2/4
Fork carrier plate		DIN / F.E.M. / ISO / Covering		Covering	Covering
Forks		s - e - l		mm 60 - 180 - 1150	60 - 180 - 1150
Overall dimensions		L2 = Length including fork support		mm 716 / 734 <sup>2</sup>	824 / 1198 - 842 / 1216
		B = Total width		mm 880	880
Turning radius		Wa		mm 1434 / 1452 <sup>2</sup>	1566 / 1924 - 1584 / 1942 <sup>2</sup>
Load position		X from middle front axes		mm 718	718
Aisle width		Ast with pallet 800x1200 longitudinal		mm 2116 / 2134 <sup>2</sup>	2247 / 2605 - 2265 / 2623 <sup>2</sup>
Speed		Movement with/without load		Km/h 5,9 / 5,9	5,9 / 5,9 - 7,5 / 7,5
		Lift with/without load		m/s 0,13 / 0,21	0,13 / 0,21
		Lowering with/without load		m/s 0,40 / 0,30	0,40 / 0,30
Gradeability		With/Without load		% 7 / 9	7 / 9
Max. gradeability		With/Without load		% 7 / 15	7 / 15
Weight		Including battery		Kg 965	1000
Axle load		With load front/rear		Kg 850 / 1215	890 / 1210
		Without load front/rear		Kg 740 / 225	780 / 220
Wheels		Quantity front/rear		3 / 4	3 / 4
		Front dimensions		mm $\emptyset$ 257x102 - $\emptyset$ 125x50	$\emptyset$ 257x102 - $\emptyset$ 125x50
		Rear dimensions		mm $\emptyset$ 85x70	$\emptyset$ 85x70
Wheel base		Y		mm 1229 / 1247 <sup>2</sup>	1229 / 1247 <sup>2</sup>
Wheel track		Al tyre centres front/rear		mm 754 / 380	754 / 380
Space		With load m1 at lowest point		mm 28	28
		With load m2 al centre of wheel base		mm 30	30
Service brake		Mechanical/hydraulic/electric/pneumatic		ELECTRIC	ELECTRIC
Parking brake		With foot/hand/dead man		DEAD MAN	DEAD MAN
Battery		DIN		NO	NO
		Tension/capacity with 5 hrs. of discharge		V/Ah 24 / 180-240	24 / 180-240
Electric motor		Weight		Kg 185 - 225	185 - 225
		Traction motor power (S2 60 min.)		Kw 1,5 A.C.	1,5 A.C.
		Lift motor power (S3 15%)		Kw 2,5	2,5
Transmission		Type		ELECTRONIC A.C.	ELECTRONIC A.C.
Drive unit		Type		HELICOIDAL GEARINGS	HELICOIDAL GEARINGS
Work pressure		For equipment (accessories)		bar 140	140
Noise level		Average noise level of human hearing		dB(A) < 70	< 70

SAMAG products and brochure specifications are subject to change without notice.

Ast includes "a" (manoeuvring space) = 200 mm and means empty pallet space.

<sup>1</sup> The first value refers to folded platform, the second to lowered platform for operator transport. <sup>2</sup> The first value indicates mast types: Non telescopic, DV, DVL; the second value: TV, TVL  
NB: The lift heights DV 2500, DVL 2500, TV 3700, TVL 3700 are not possible in Operator Platform version

TYPE	LIFT HEIGHT	Q Kg	h3	h2	h5	h1	h4	h4 grid
NON TELESCOPIC	1700	1300	1620	1620	/	2080	2100	2510
	2500	1300	2430	150	/	1780	2960	3320
	3000	1100	2930	150	/	2030	3460	3820
	3500	900	3430	150	/	2280	3960	4320
	4000	700	3930	150	/	2530	4460	4820
DUPLEX "DV"	4300	500	4270	150	/	2700	4800	5160
	2500	1300	2445	/	1230	1780	2995	3335
	3000	1100	2945	/	1480	2030	3495	3835
	3500	900	3445	/	1730	2280	3995	4335
	4000	700	3945	/	1980	2530	4495	4835
DUPLEX "DVL"	3700	800	3645	/	/	1810	4240	4535
	4200	700	4155	/	/	1980	4750	5045
	4500	600	4395	/	/	2060	4990	5285
TRIPLEX "TV"	3700	800	3660	/	1230	1810	4240	4550
	4200	700	4170	/	1400	1980	4750	5060
	4500	600	4410	/	1480	2060	4990	5300
TRIPLEX "TVL"	3700	800	3660	/	1230	1810	4240	4550
	4200	700	4170	/	1400	1980	4750	5060
	4500	600	4410	/	1480	2060	4990	5300



**SAMAG Industriale s.r.l.**  
 Località Pagana - 29017 Fiorenzuola d'Arda  
 PC - ITALY  
 Tel. 0523.981598 - Fax 0523.943128  
 www.samag.it - info@samag.it